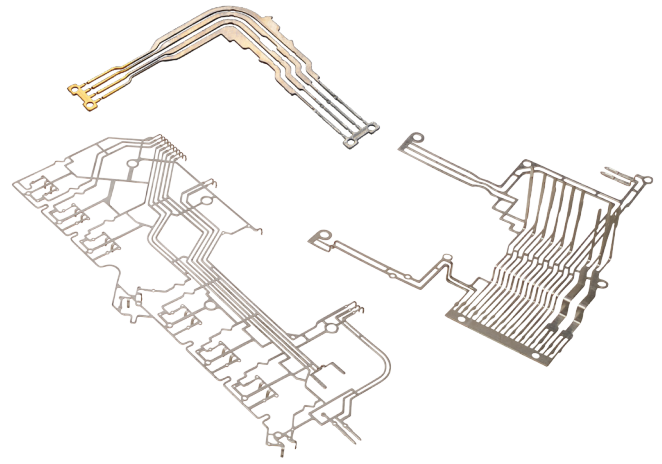




# HEAVY STAMPING SPECIFICATIONS



## Press Rating

**100 TO 450 TONS**

## Maximum Press Stroke

**8.5 IN (215 MM)**

## Maximum Press Bed Width

**55 IN (1,397 MM)**

## Part Thickness

**.008 IN (.2 MM)  
TO .375 IN (9 MM)**

## Press Speed

	STROKES/MIN
CONVENTIONAL PRESSES	UP TO 140
SERVO PRESSES	UP TO 250
ADJUSTABLE STROKE PRESSES	UP TO 400

## Maximum Press Bed Length

**120 IN (3,048 MM)**

## Part Length/Width or Diameter

**0.25 IN (6.35 MM)  
TO 24 IN (609.6 MM)**

## Tolerance

**+/- .001 IN (+/- .025 MM)**